

DESIGN DATA

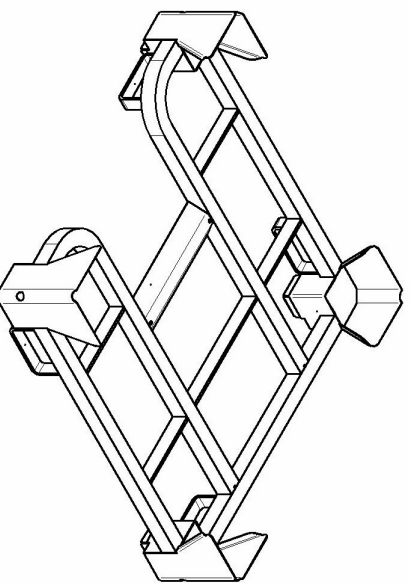
IBC TYPE	31A
UN-APPROVAL	FIN/TUKES-267
VOLUME	L 1000
LIQUID RELATIVE DENSITY	Kg/m ³ 2600 MAX.
NUMBER OF STACKING IBCS	1 + 3
TEST PRESSURE OF CONTAINER	kPa (kg) 20
TEST PRESSURE OF HEATER	kPa (kg) 300
SURFACE AREA OF THE HEATING UNIT	m ² 0.45
ESTIMATED WEIGHTS:	
EMPTY	Kg 160
SURFACE	
INSIDE	2B PICKLED
OUTSIDE	2B PICKLED

MATERIALS

TANK	AISI 304
HEATING UNIT	AISI 304
NOZZLES	AISI 316
GASKETS	Pipe or equivalent
BOLTS	A2
MANWAY LID	AISI 304

NOZZLE SCHEDULE

ITEM	SIZE	PCS	TYPE
N1	Ø46D	1	Manual
N2	R 1 1/2"	1	Socket + Hexagon nut + chain
N3	R 1 1/2"	1	Socket + Hexagon nut + chain
N4	R 2"	1	Socket + Hexagon nut + chain
N5	DN50	1	Outlet
N6	R 1/2"	2	Outlet / Inlet of the heating unit
N7	R 1"	1	Pressure and vacuum relief vent



Suggestion
Base frame construction

This drawing is owned by **Metano Ltd**. The use of the drawing for copying or for any other purposes without our permission is absolutely prohibited.

Rev.	Field	Date	Drawn	App'd

Part Code/Desc	Part or assembly name	Dimensions	Scale	Drawn	Rev	QTY
HCST-1001	Associated with	Weight kg	1:10	CHK'd	Y10	3002-06-26
	Mass	Dimensions		App'd		3002-11-21
Metercube						